



• ED1555M Series.

DC Brushless fan.

Size: 172 x 150 x 55 mm

5 x 2.17 inches

Airflow: Max. 335 CFM / 9.5 m³/min

Metal Frame / Metal Impeller

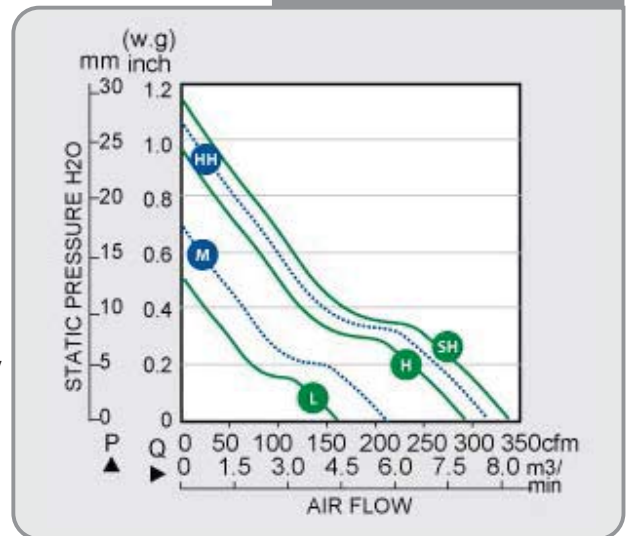
Model No.	Rated Voltage	Voltage Range	Input Power	Rated Current	Ref Speed	Max. Airflow		Max. Static Pressure		Noise Level	PQ Curves
	VDC	VDC	Watt	Amp	RPM	CFM	m ³ /min	Inch/H ₂ O	mm/H ₂ O	dB (A)	
ED1555M-12SH**	12	8~14	64.8	5.4	4100	310	8.8	1.05	26.67	63	SH
ED1555M-12HH**	12	8~14	50.4	4.2	3900	295	8.4	0.97	24.64	59	HH
ED1555M-12H**	12	8~14	23	1.9	3700	275	7.8	0.93	23.62	55	H
ED1555M-12M**	12	9~14	13.2	1.1	2800	210	5.9	0.70	17.78	46	M
ED1555M-12L**	12	9~15	5.5	0.45	2000	155	4.4	0.49	12.45	37	L
ED1555M-24SH**	24	15~28	63.6	2.65	4400	335	9.5	1.15	29.21	65	SH
ED1555M-24HH**	24	15~28	50.4	2.1	4200	318	9	1.08	27.43	63	HH
ED1555M-24H**	24	15~28	24	0.97	3900	295	8.4	0.97	24.64	60	H
ED1555M-24M**	24	17~28	13	0.52	2800	210	5.9	0.7	17.78	46	M
ED1555M-24L**	24	17~28	5	0.2	2000	155	4.4	0.49	12.45	37	L
ED1555M-48SH**	48	22~53	62.4	1.3	4400	335	9.5	1.15	29.21	65	SH
ED1555M-48HH**	48	22~53	49.4	1.03	4200	318	9	1.08	27.43	63	HH
ED1555M-48H**	48	22~55	23.5	0.48	3900	295	8.4	0.93	23.62	60	H
ED1555M-48M**	48	24~58	14.5	0.3	2800	210	5.9	0.70	17.78	46	M
ED1555M-48L**	48	24~60	5.8	0.12	2000	155	4.4	0.49	12.45	37	L

** = "BL" for Ball bearing wire lead type, or "BT" for Ball bearing terminal type.

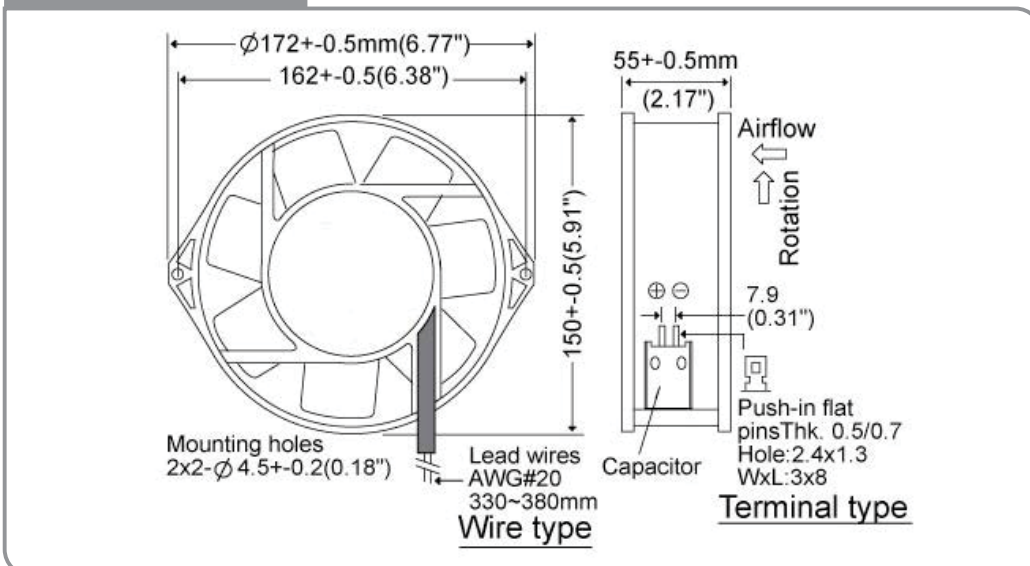
We Reserve the right to change data and improve electrical & mechanical design without notice, data tolerance +/- 10%

Motor Type:	Microprocessor brushless DC Motor, auto cutoff, auto restart
Burnout Protection:	Electronically protected, polarity protected
IP Protection:	IP55 , 56 Optional request
Mechanical	
Frame:	Aluminum die cast, black color(AP)
Impeller:	7 blades, all metal
Bearing:	Two ball bearings
Rotation:	CW seen on rotor
Connection:	Wire lead or terminal flat pin connecting
Weight:	920 g (2.02 Lbs)
Electronical	
Dielectric Strength:	500 VAC/min. Max leakage 500mA
Speed Control:	Optional:PWM, S/C NTC thermister,0~10V control voltage S/V
Signal Output:	Optional:R/D alarm output, tachometer output F/G
Environment	
Operating Temp:	-20°C~+65°C
Storage Temp:	-20°C~+75°C (at 65%RH)
Life Expectancy:	L10 50K hours at 50°C

► Performance P-Q Curves.



► Outline Dimensions.



Fan Accessories

